

The Atlas Copco logo is positioned in the top right corner of the image. It consists of the brand name "Atlas Copco" in a white, serif font, centered between two horizontal white bars. The background of the logo is a solid teal color.

Atlas Copco

The main title "LSV29 product range" is located in the bottom left quadrant of the image. It is written in a large, bold, white sans-serif font. The text is overlaid on a teal-colored graphic element that also contains technical drawings of the tool.

LSV29 product range

A small tool packed with power

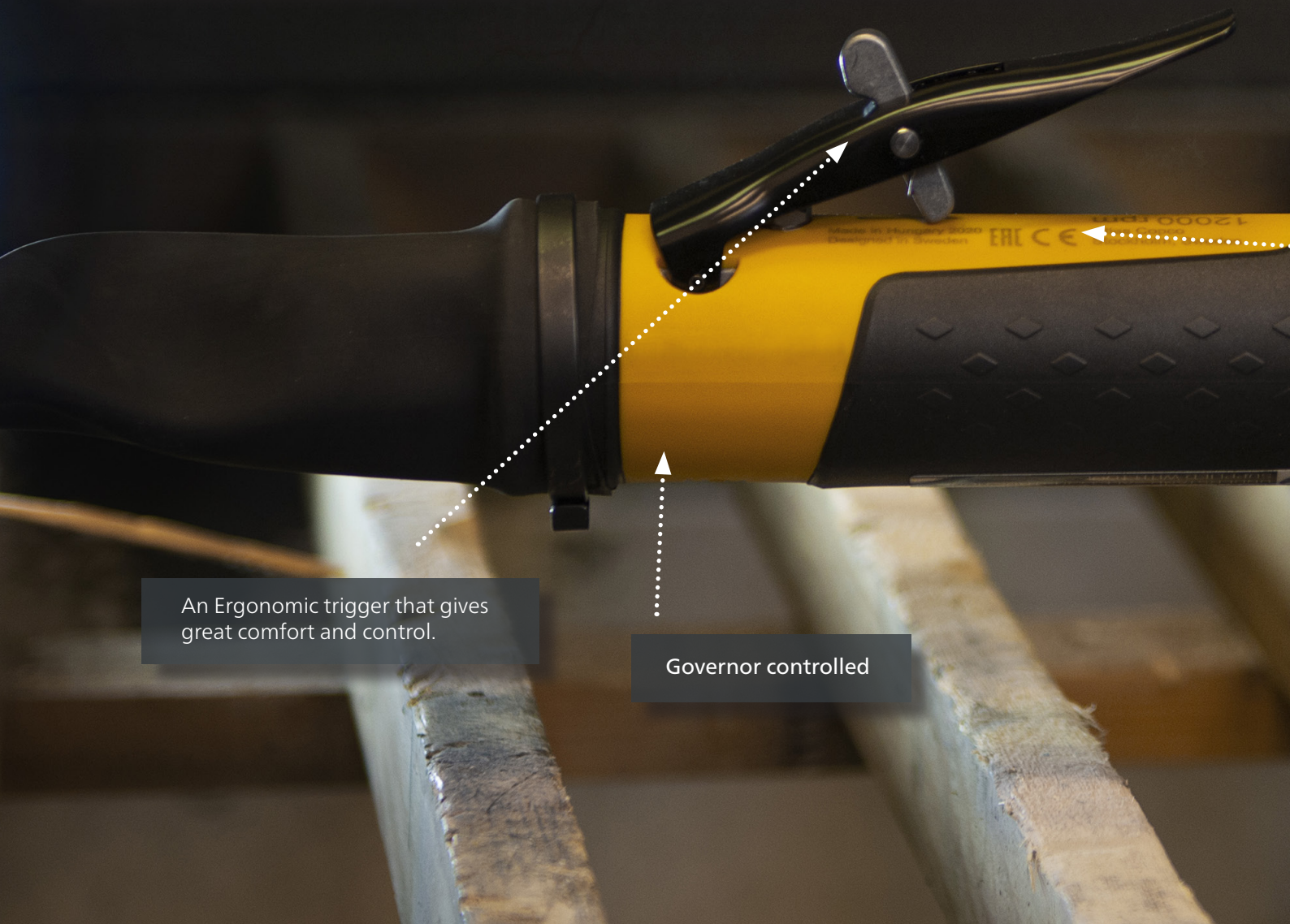
The LSV29 s

Packed with power

The new LSV29 series have been equipped with a state of the art motor which delivers a class leading performance with up to 10% higher material removal rate over the competition. This will make the time on the job shorter and give a higher output.

Ergonomic design

Ergonomics and user experience were the main focus for the new LSV29. The result is a new angle gear head design and a trigger designed for long time use without discomfort. By combining low vibrations with a robust and long lasting product Atlas Copco continues to deliver the best value for the operator.



An Ergonomic trigger that gives great comfort and control.

Governor controlled

eries

Innovation

Unrivaled performance for high productivity.

Ergonomics

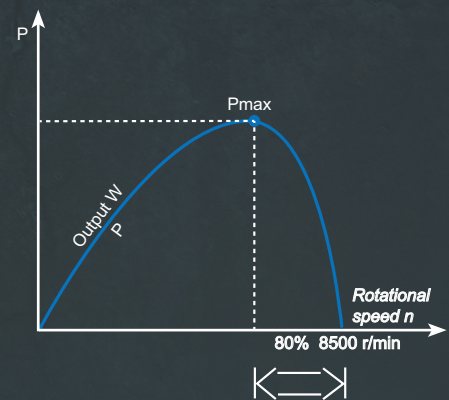
Very low vibration levels and low weight reduce the exposure and strain on the operator.

Durability

A robust tool with low weight, designed for all day operation.

Governor controlled

Maximum power for continued strong grinding with no loss of rotational speed is enabled by the speed governor. The result is a high removal rate and savings of valuable compressed air.



800W motor. The high power minimizes trigger time during grinding and sanding. A superior productivity that cuts costs on labour and abrasives, reducing the payback time dramatically.



LSV29 product range

Model	Max free speed		Max output		Max wheel diam.		Spindle thread		Spindle length		Weight		Height over spindle		Air cons. at max output		Air cons. at free speed		Rec hose size		Air inlet thread		Ordering No.
	r/min		kW	hp	mm	in			mm	in	kg	ls	mm	in	ls	cfm	ls	cfm	mm	in	BSP in/	NPT in	
Angle grinders																							
LSV29 ST13-100E	13000	0.8	1.1	100	4	3/8-24 UNF	16.6	0.7	1.7	3.7	71	2.8	26	55	15	30	10	1/2	3/8	3/8	8423	0127	49
LSV29 ST12-100	12000	0.8	1.1	100	4	3/8-24 UNF	17	0.7	1.7	3.7	75	3	20	43	8	16	10	1/2	3/8	3/8	8423	0127	45
LSV29 ST12-115	12000	0.8	1.1	115	4.5	3/8-24 UNF	17	0.7	1.7	3.7	75	3	20	43	8	16	10	1/2	3/8	3/8	8423	0127	46
LSV29 ST12-125	12000	0.8	1.1	125	5	3/8-24 UNF	17	0.7	1.7	3.7	75	3	20	43	8	16	10	1/2	3/8	3/8	8423	0127	47
LSV29 S060-180	6000	0.8	1.1	180	7	5/8-11 UNC	32	1.3	2.5	5.5	90	3.5	20	43	7	15	13	1/2	3/8	3/8	8423	0127	39
Angle sanders																							
LSV29 S060-5/8	6000	0.8	1.1	180	7	5/8-11 UNC	32	1.3	1.5	3.3	86	3.4	20	43	7	15	13	1/2	3/8	3/8	8423	0127	37
LSV29 S060-M14	6000	0.8	1.1	180	7	M14	23	0.69	1.5	3.3	86	3.4	20	43	7	15	13	1/2	3/8	3/8	8423	0127	50
LSV29 S040-5/8	4000	0.7	1	180	7	5/8-11 UNC	32	1.3	1.5	3.3	86	3.4	19	40	6	12	13	1/2	3/8	3/8	8423	0127	35
Wet sanding																							
LSV29 S018-5/8	1800	0.8	1.1	180	7	5/8-11 UNC	32	1.3	1.7	3.7	104	4.1	22	47	13	27	13	1/2	3/8	3/8	8423	0127	52
Polishing																							
LSV29 S034-5/8	3400	0.8	1.1	180	7	5/8-11 UNC	32	1.3	1.7	3.7	86	3.4	21	44	8	16	13	1/2	3/8	3/8	8423	0127	44
LSV29 S021-5/8	2100	0.7	1	180	7	5/8-11 UNC	32	1.3	1.9	4.1	86	3.4	19	40	6	12	13	1/2	3/8	3/8	8423	0127	33
LSV29 S021-M14	2100	0.7	1	180	7	M14	23	0.69	1.9	4.1	86	3.4	19	40.3	6	12	13	1/2	3/8	3/8	8423	0127	34
LSV29 S013-5/8	1300	0.7	1	180	7	5/8-11 UNC	32	1.3	1.7	3.7	86	3.4	25	52	9	19	13	1/2	3/8	3/8	8423	0127	42

Model	Max free speed		Max output		Collet size		Length		Weight		Air cons. at max output		Air cons. at free speed		Rec hose size		Air inlet thread		Ordering No.	
	r/min		kW	hp	mm	in	mm	in	kg	ls	ls	cfm	ls	cfm	mm	in	BSP in /	NPT in		
Die grinder																				
LSV29 S150	15000	0.7	1	6	1/4	250	9.8	1.2	2.6	21	44	8	16	13	1/2	3/8	3/8	8423	0127	40

Accessories

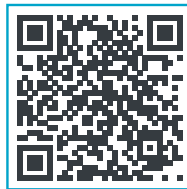
Dust extraction kits	Ordering No.	Description	Ordering No.
Sanders			
LSV29 S021-5/8	8423012733	Spot suction kit for sanding with fiber disc 180mm (7")	3780403160
LSV29 S060-5/8	8423012737	Spot suction kit for sanding with fiber disc 125mm (5")	3780400780
LSV29 S060-5/8	8423012737	Spot suction kit for sanding with fiber disc 180mm (7")	3780400790
LSV29 S040-5/8	8423012735	Spot suction kit for sanding with fiber disc 180mm (7")	3780400790
Grinders			
LSV29 ST12-125	8423012747	Spot suction kit for depressed center wheel 125 mm (5")	3780400870
MultiFlex Swivel			Ordering No.
MultiFlex 3/8" BSP			8202 1350 22
MultiFlex 3/8" NPT			8202 1350 28

Productivity kit

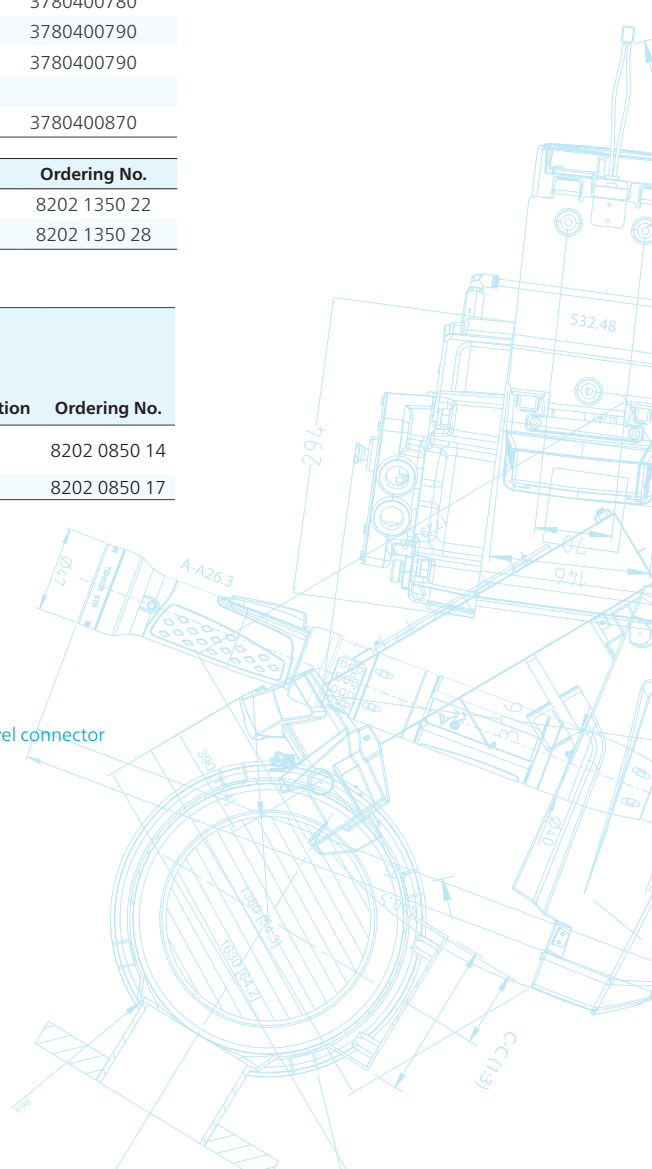
Model	Air inlet		Max air flow		Hose	Couplings	Lubrication	Ordering No.
	BSP	NPT	ls	cfm				
MIDI Optimizer F/RD EQ10-R13-W, incl. whipose	3/8" BSP	3/8" NPT	23	49	5m Rubair 13	ErgoQIC 10	Yes	8202 0850 14
MIDI Optimizer F/RD EQ10-T13	3/8" BSP	3/8" NPT	35	74	5m Turbo 13	ErgoQIC 10	Yes	8202 0850 17



Scan to learn more about our air preparation unit FRL



Scan to learn more about the MultiFlex Swivel connector



Atlas Copco AB

(publ) SE-105 23 Stockholm, Sweden

Phone: +46 8 743 80 00

Reg. no: 556014-2720

atlascopco.com

Atlas Copco