



Atlas Copco



Manual torquing at its best

PRO ACTW Torque Wrenches

PRO ACTW Torque Wrenches

Manual torquing at its best

Atlas Copco PRO Torque Wrenches are manufactured to meet global standards of accuracy for customer torquing needs.

The series can be used as a stand-alone product or together with Atlas Copco Impact Wrenches to ensure that the correct torque has been applied for non-critical applications.

All of these click type torque wrenches come with a quality ratchet head that provides a distinctive and audible click sound. The series comes in different models covering a torque range of 5-1000 Nm. The series provides a $\pm 4\%$ accuracy based on the EN ISO 6789-1:2017 standard.



Benefits

- Easy to reach cramped spaces
- Durable aluminium handle for easy operator handling
- Audible click sound for real-time operator feedback
- Up to 25,000 cycles



Features



Compact design



Light weight



Operator feedback



High accuracy



Ergonomic handle

Dual scale torque adjustment ring

Ratchet head with a fast socket release mechanism

Applications



Rolling Stock MRO



Oil & Gas



Mining MRO

Technical data

Model	Drive square [in]	Torque range [Ft lb]	Torque range [Nm]	Weight [kg]	Weight [lb]	Length [mm]	Part Number
ACTW05	1/4"	44-221 (in lb)	5-25	0.4	0.8	248	8434 0300 01
ACTW20	3/8"	15-74	20-100	1.2	2.6	408	8434 0300 02
ACTW40	1/2"	30-148	40-200	1.6	3.5	519	8434 0300 03
ACTW150	3/4"	110-553	150-750	5.72	12.5	1124	8434 0300 04
ACTW200	1"	148-738	200-1000	6.52	14.3	1224	8434 0300 05

Accessories



WS1001



WS1002



WS1003

Model	Square drive size [in]	Socket type	Number of sockets	Sockets included [mm]	Ordering No.
PRO WS1001	3/8"	Metric impact socket	13	7, 8, 9, 10, 11, 12, 13, 14, 15, 16, 17, 18, 19	4112 0607 91
PRO WS1002	1/2"	Metric impact socket	14	10, 11, 12, 13, 14, 15, 16, 17, 18, 19, 21, 22, 26, 27	4112 0607 92
PRO WS1003	1/2"	Metric deep impact socket	14	10, 11, 12, 13, 14, 15, 16, 17, 18, 19, 21, 22, 26, 27	4112 0607 93



PRO website

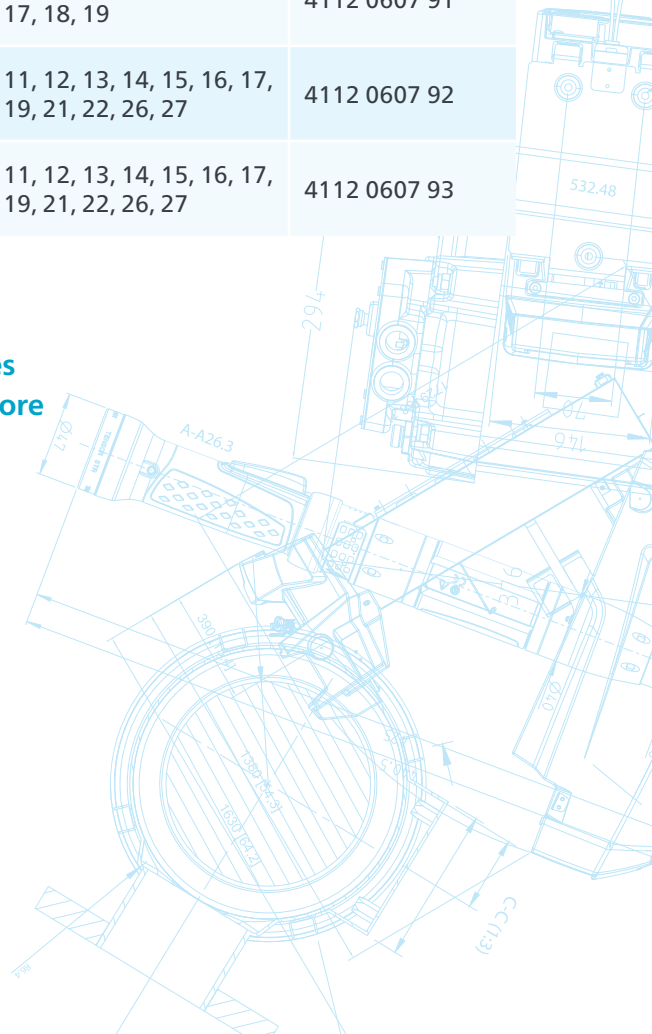


PRO videos on Youtube



PRO catalogue

Scan the codes to discover more about PRO



Atlas Copco

Atlas Copco AB
 (publ) SE-105 23 Stockholm, Sweden
 Phone: +46 8 743 80 00
 Reg. no: 556014-2720
 atlascopco.com